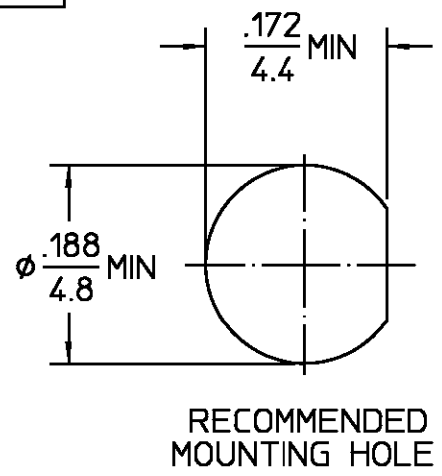


DESIGNED FOR USE WITH	0.085 SR
CABLE ENTRY DIAMETER	MINIMUM
HOUSING	.089
CONTACT	.021

REVISIONS			
REV	DESCRIPTION	DATE	APPROVED
02 ₂	REDRAWN IN CAD PER ECN 98-0001	PATLAN 5-18-98	<i>[Signature]</i> 8/24/1998



ELECTRICAL	MECHANICAL	ENVIRONMENTAL
Nominal Impedance (Ohms) <u>50</u>	Interface Dimensions MIL-STD-348A, Fig. 319-2	Temperature Rating <u>-65° to +105°C</u>
Frequency Range (GHz) DC to <u>26.0</u>	Recommended Mating	Vibration MIL-STD-202, Method 204, Condition D
Volt Rating (VRMS MAX)	Torque <u>7-10</u> In lbs	Shock MIL-STD-202, Method 213, Condition I
@ Sea Level <u>250</u>	Mating Characteristics:	Thermal Shock MIL-STD-202, Method 107, Condition C.
VSWR <u>1.07 + 0.01 f(GHz)</u>	Insertion (MAX Lbs) <u>2.0</u>	Except High Temp <u>+200°</u>
Insertion Loss (dB MAX) <u>.04 √f(GHz)</u>	Withdrawal (MIN Oz) <u>1.0</u>	Moisture Resistance MIL-STD-202, Method 106
RF Leakage (dB MIN) <u>-(100-fGHz)</u>	Force to Engage and Disengage (In-Lbs MAX) <u>2</u>	Corrosion - MIL-STD-202, Method 101, Condition B, 5% salt spray
Corona, 70,000 Ft (VRMS MIN) <u>190</u>	Center Contact Captivation	
Dielectric Withstanding Voltage	Axial (Lbs) <u>N/A</u>	
(VRMS MIN) @ Sea Level <u>750</u>	Radial (In-Oz) <u>N/A</u>	
Contact Resistance (Milliohms MAX)	Cable Retention	
Center Contact <u>2</u>	Axial Force (Lbs) <u>30</u>	
Outer Contact <u>2</u>	Torque (In-Oz) <u>16</u>	
Cable to Housing <u>0.5</u>	Weight (Grams) <u>T.B.D.</u>	
RF High Potential @ Sea Level		
(VRMS MIN @ 5 MHz) <u>500</u>		
LR.(Megohms MIN) <u>10,000</u>		

COMPONENT	MATERIAL	FINISH
HOUSING MOUNTING NUT LOCKWASHER	STAINLESS STEEL PER ASTM-A484 AND ASTM- A582, TYPE 303	GOLD PLATE PER MIL-G-45204
DIELECTRIC	PTFE FLUOROCARBON PER ASTM-D-1457	N/A
CENTER CONTACT	BERYLLIUM COPPER PER ASTM-B-196 OR ASTM-B-197, ALLOY C17300, CONDITION H	GOLD PLATE PER MIL-G-45204
O-RING	SILICONE RUBBER PER ZZ-R-765	N/A

UNLESS OTHERWISE SPECIFIED
DIMENSIONS ARE IN INCHES

DRAWN BY	BW	DATE	7-9-68
CHECKED BY	PRB	DATE	7-9-68
APPD BY	BE	DATE	9-11-68

FRAC. ± 1/64 DEC. ± .005 ANGLES ± 1°

These drawings and specifications are the property of M/A COM Interconnect Div. and shall not be reproduced or copied or used in whole or in part as the basis for the manufacture or sale of item(s) without written permission.

USE ASSY PROCEDURE

NO. A.P. 10-006
(408-04793)

AMP

AMP Incorporated
140 Fourth Avenue
Waltham, MA 02451-7599

TITLE **STRAIGHT BULKHEAD
CABLE JACK**

SIZE	CODE IDENT NO.	REV
B	26805	1004-7985-00 02 ₂

SCALE **6:1** SHEET 1 OF 1